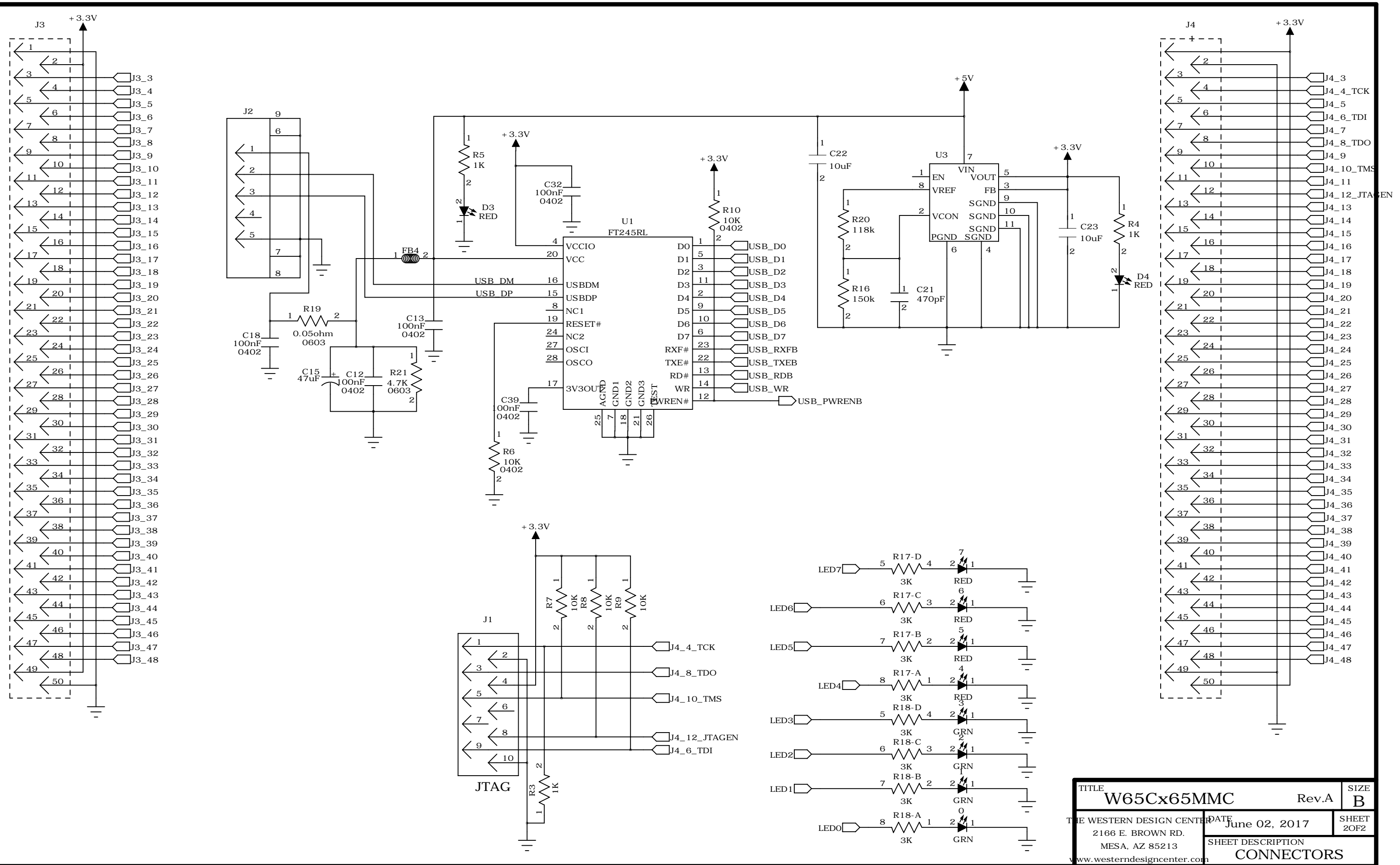


Place ONE 1000nF and 100nF cap near each IO bank for VCCIO

TITLE	W65Cx65MMC	Rev.A	SIZE	B
THE WESTERN DESIGN CENTER	2166 E. BROWN RD.	DATE	June 02, 2017	SHEET
MESA, AZ 85213		SHEET DESCRIPTION	FPGA	10F2
www.westerndesigncenter.com				



TITLE	W65Cx65MMC	Rev.A	SIZE	B
DATE	June 02, 2017	SHEET DESCRIPTION		20F2
THE WESTERN DESIGN CENTER 2166 E. BROWN RD. MESA, AZ 85213		CONNECTORS		
www.westerndesigncenter.com				