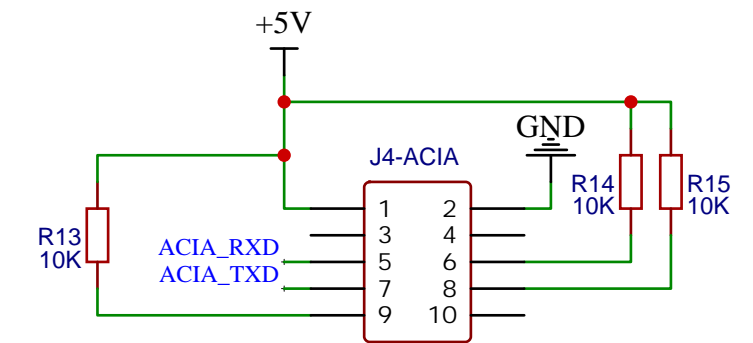
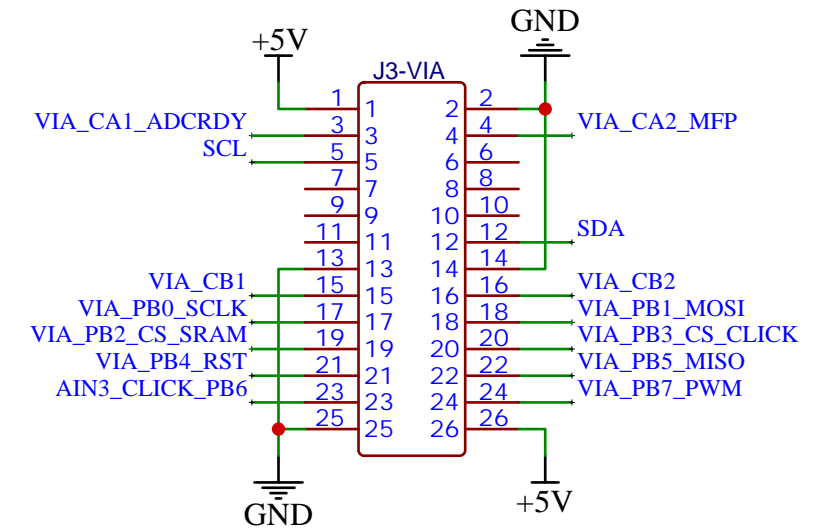
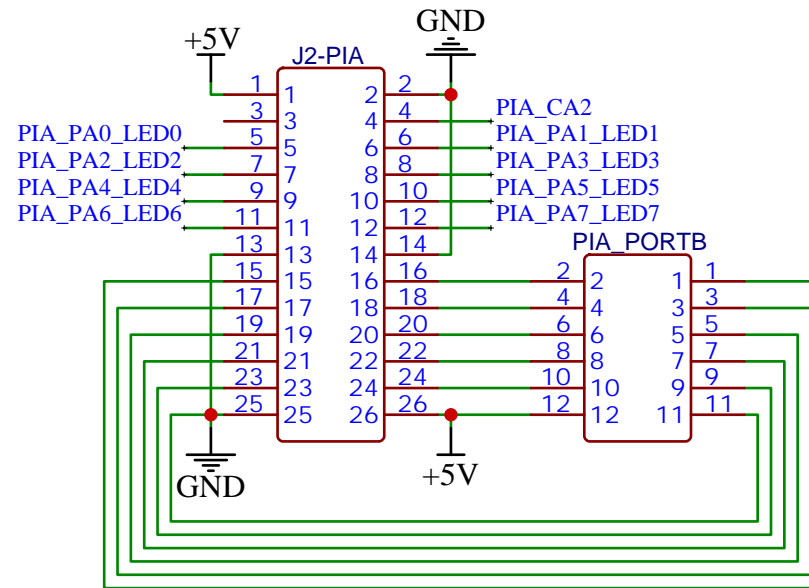
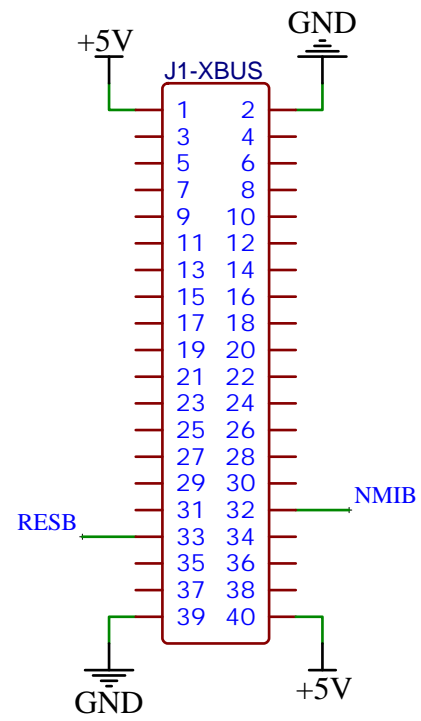


TITLE: W65C02EDU		REV: D
Date: 2021-07-30	Sheet: 1/2	
EASYEDA V5.8.20	Drawn By: David Gray	



*-10K Pull Up Resistors for CTSB, DCDB and DSRB.

TITLE: W65C02EDU - Connectors		REV: D
	Company: WDC	Sheet: 2/2
	Date: 2021-07-30	Drawn By: David Gray